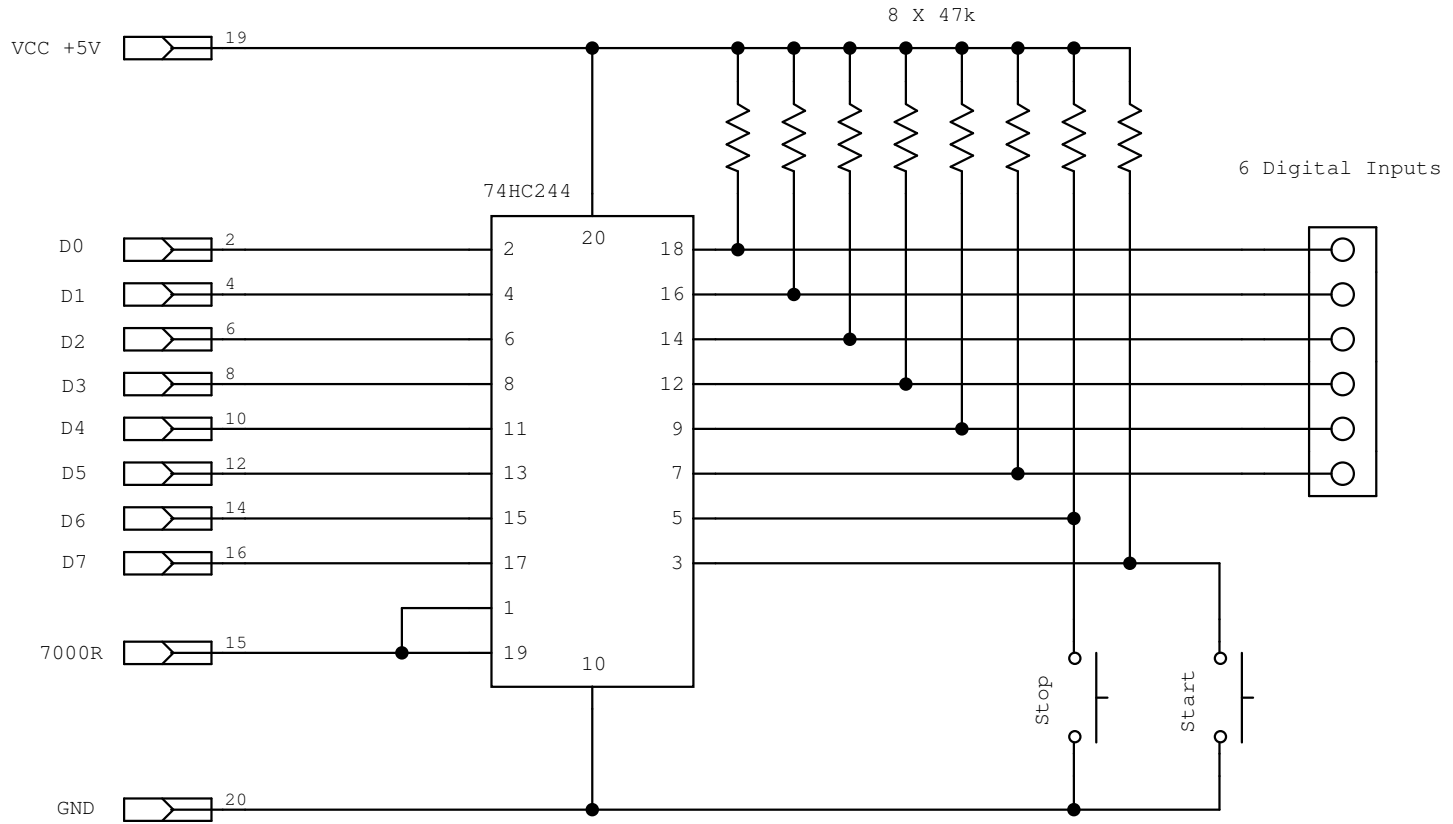


Connect to JP9 of Fingerboard



"Missing" Handy Board Circuit